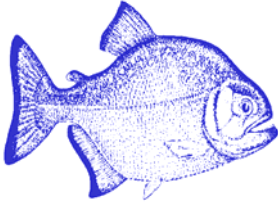


PIRANHA PUMPS ARE MADE BY: EQUIPMENT SPECIALTIES CO. ALBUQUERQUE, NM
 PHONE: (505) 822-0449 FAX: (505) 858-0171



Piranha

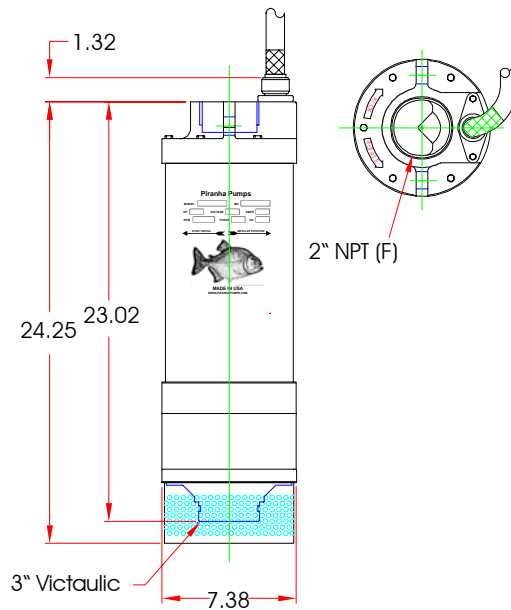
Submersible Dewatering Pump

Model PP-500-HH

5 HP / 2 Inch Discharge

230v/460v three phase

Home Of Piranha Pumps www.piranhapump.com



Pump Construction

Housing	356T6 & 6063T6 Al Alloy Hard Anodized
Mechanical Seals	Silicon Carbide
Impeller	17-4PH Stainless Steel Hardened – Heat Treated
Rotor Shaft	416 SS
Suction Case	Polyurethane Liner Abrasion Resistant
Strainer	316 SS 1/4" Openings
Hardware	304 SS
Pump Weight	73 Lbs
Discharge	2 inch Female NPT

Motor Specifications

Motor Seal	Buna-N Orings
Rating	3 Phase 5 HP
Voltage	230/460 Volt
Current	F.L.A. 15.2 / 7.6
Overload	Circuit Breaker
RPM	3450
Insulation	Class F
Power Cable	50' 12/4 SOW-A With Strain Relief
Control	NEMA 3R OR NEMA 4

Piranha Model PP-500-HH
5 HP - 230/460 Volt

